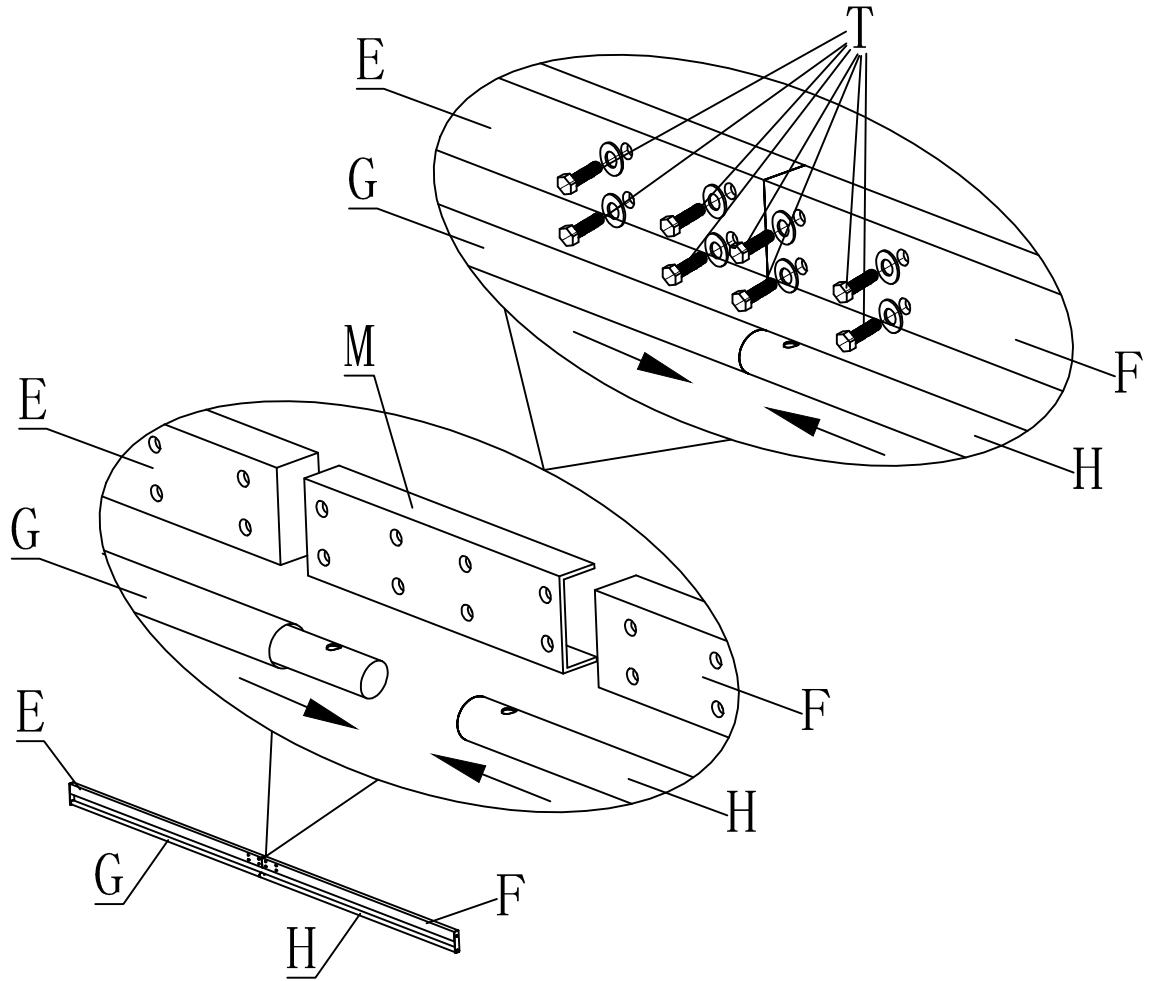
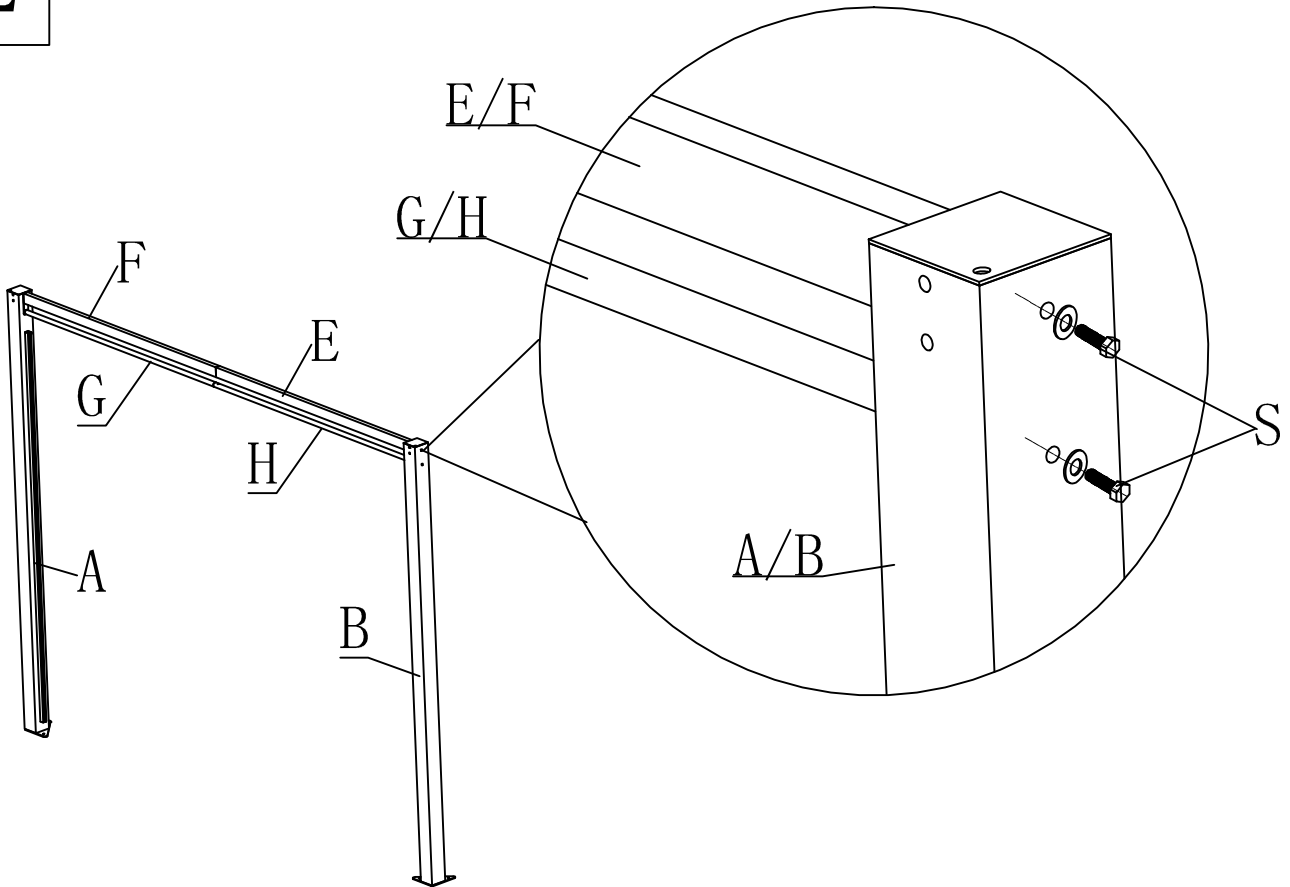


A		2	L		2
B		2	M		4
C		2	N		4
D		2	P		4
E		2	Q		4
F		2	R		1
G		2	S	 M8*95MM	16
H		2	T	 M6*15MM	56
I		4	V		8
J		4	W	 M6/M5	2
K		2	X	 M8/M6	2

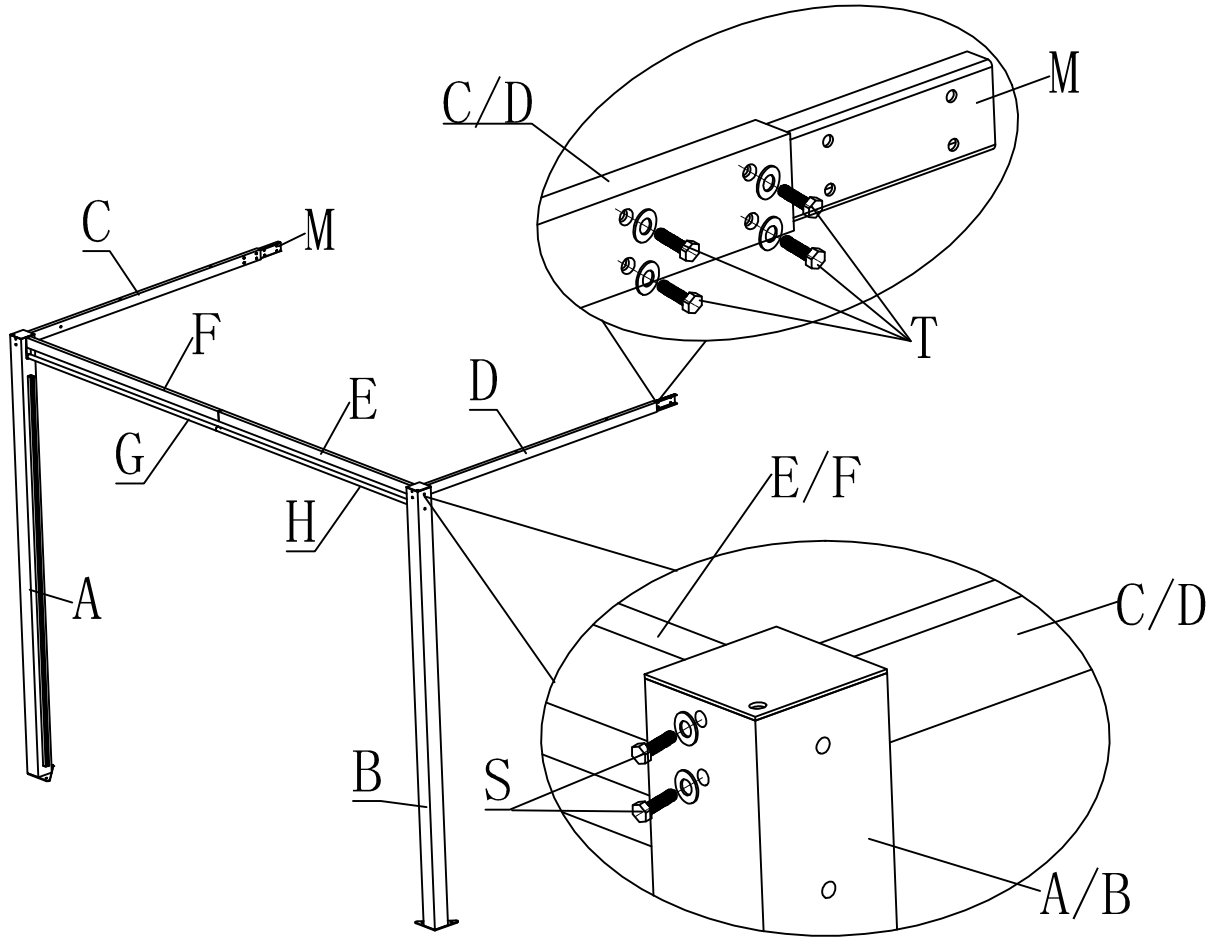
1



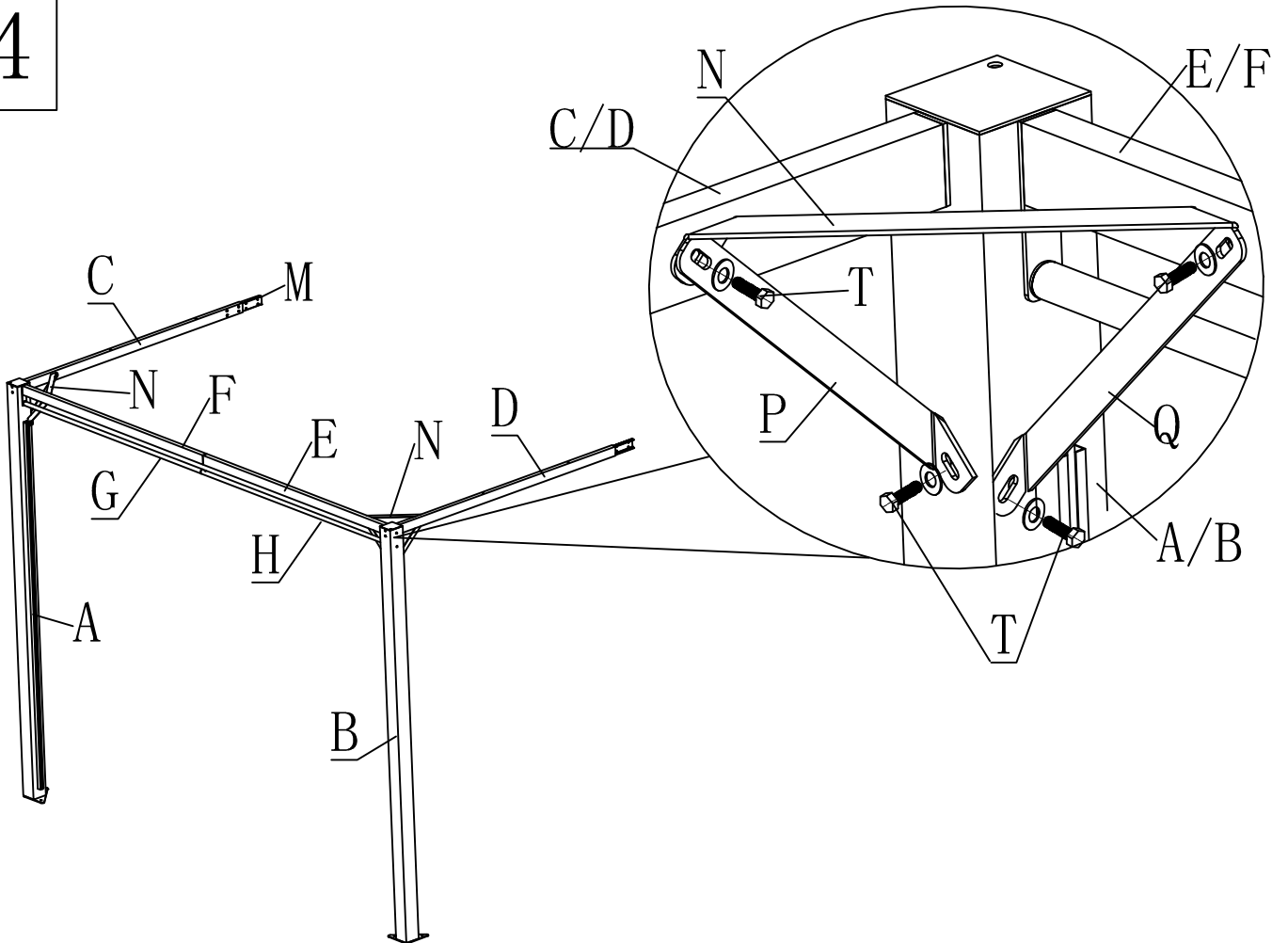
2



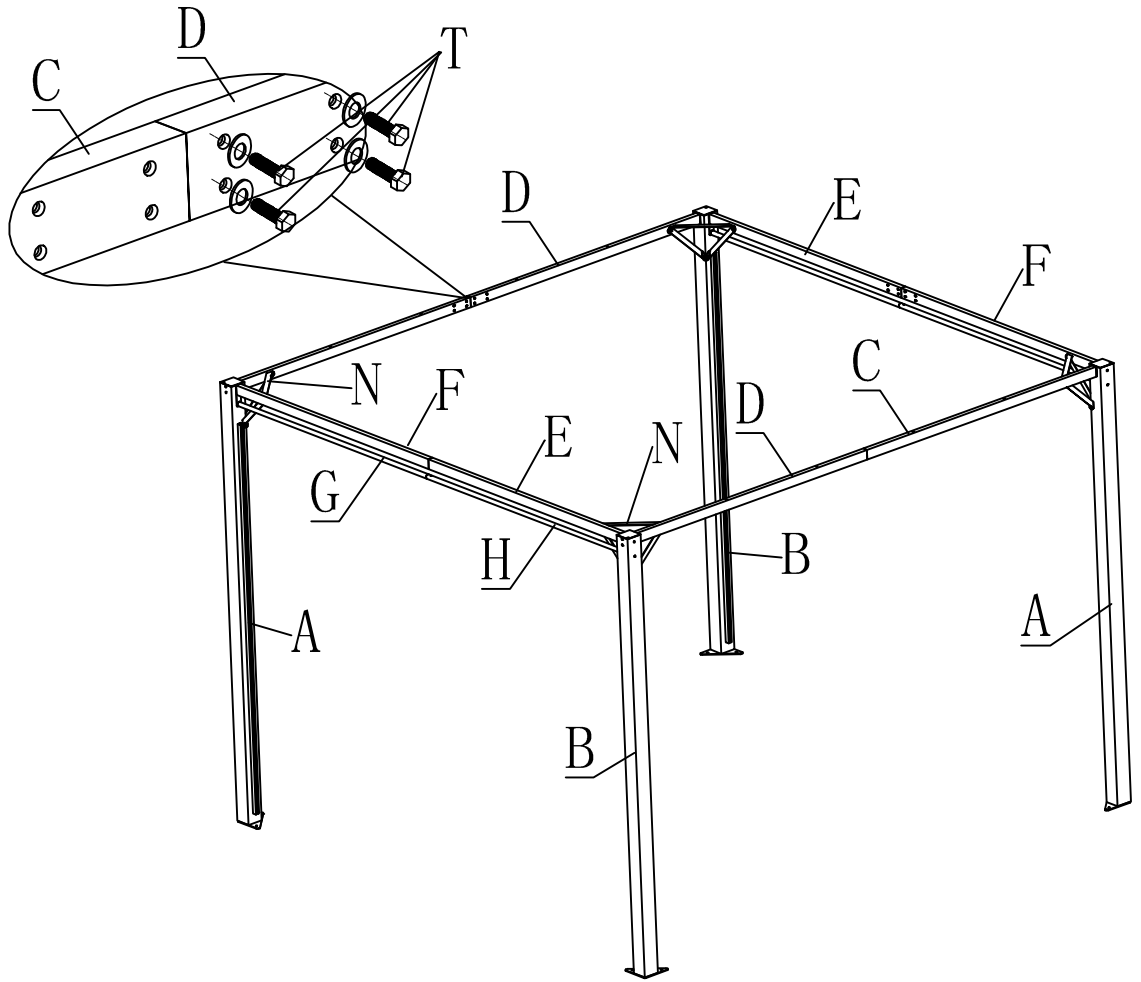
3



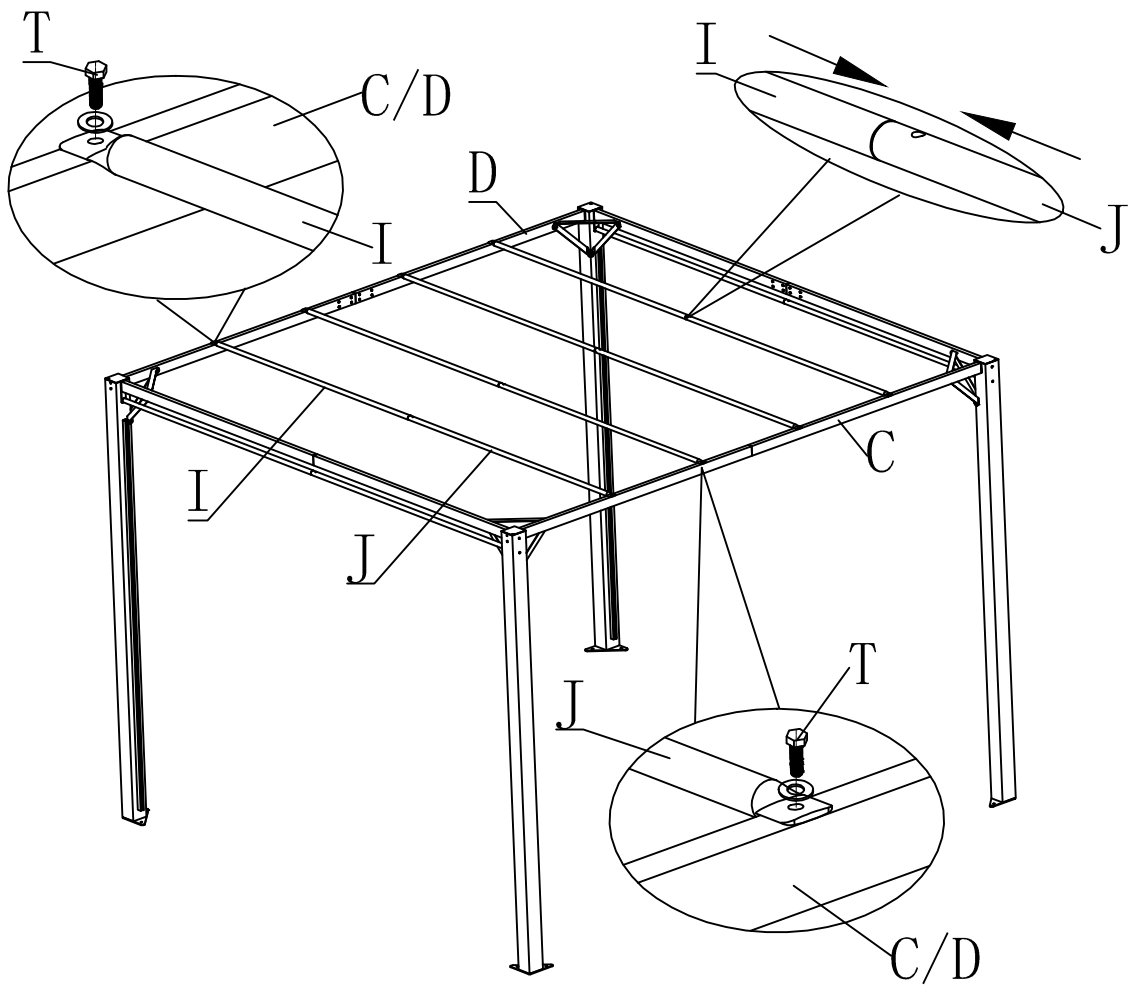
4



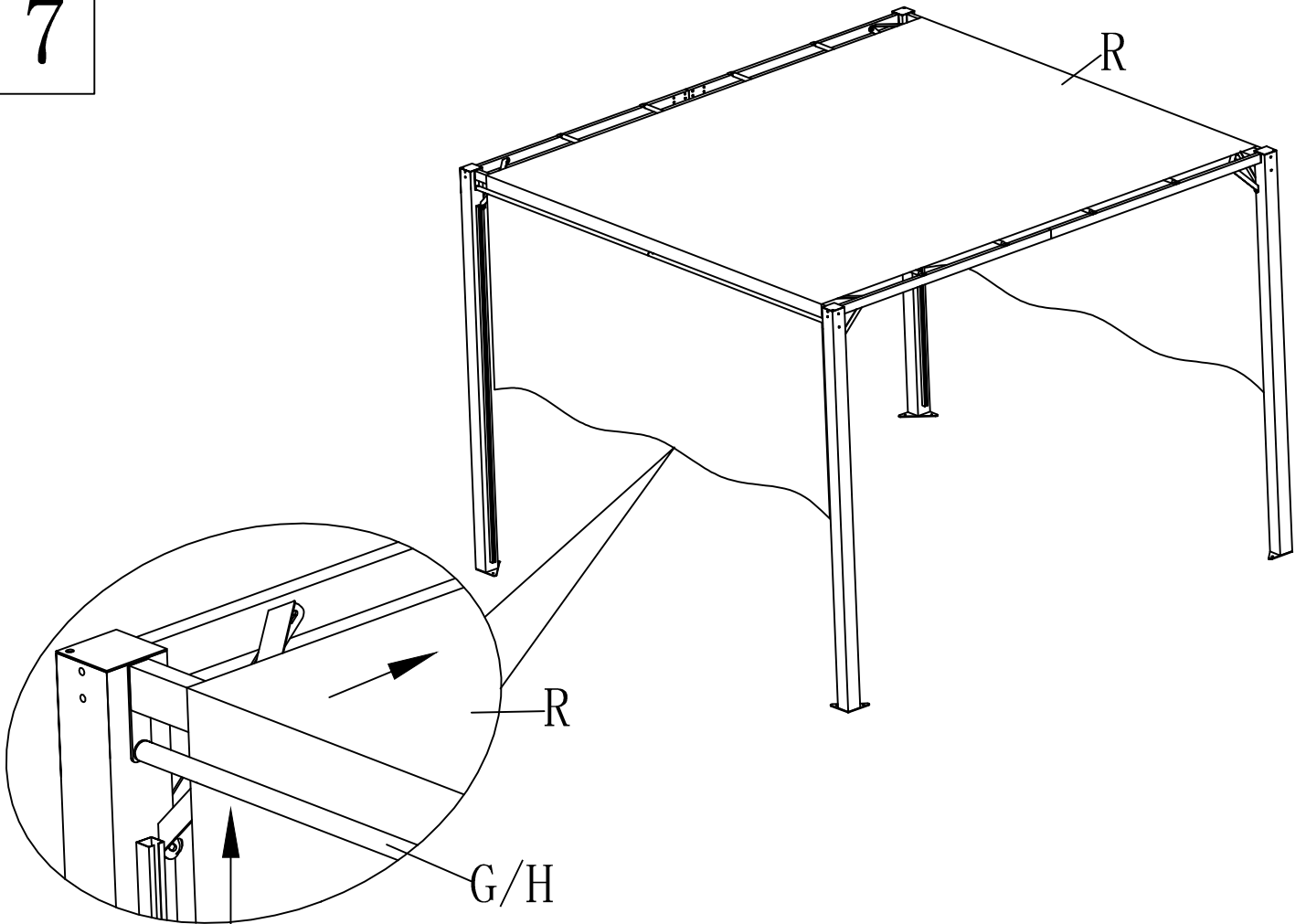
5



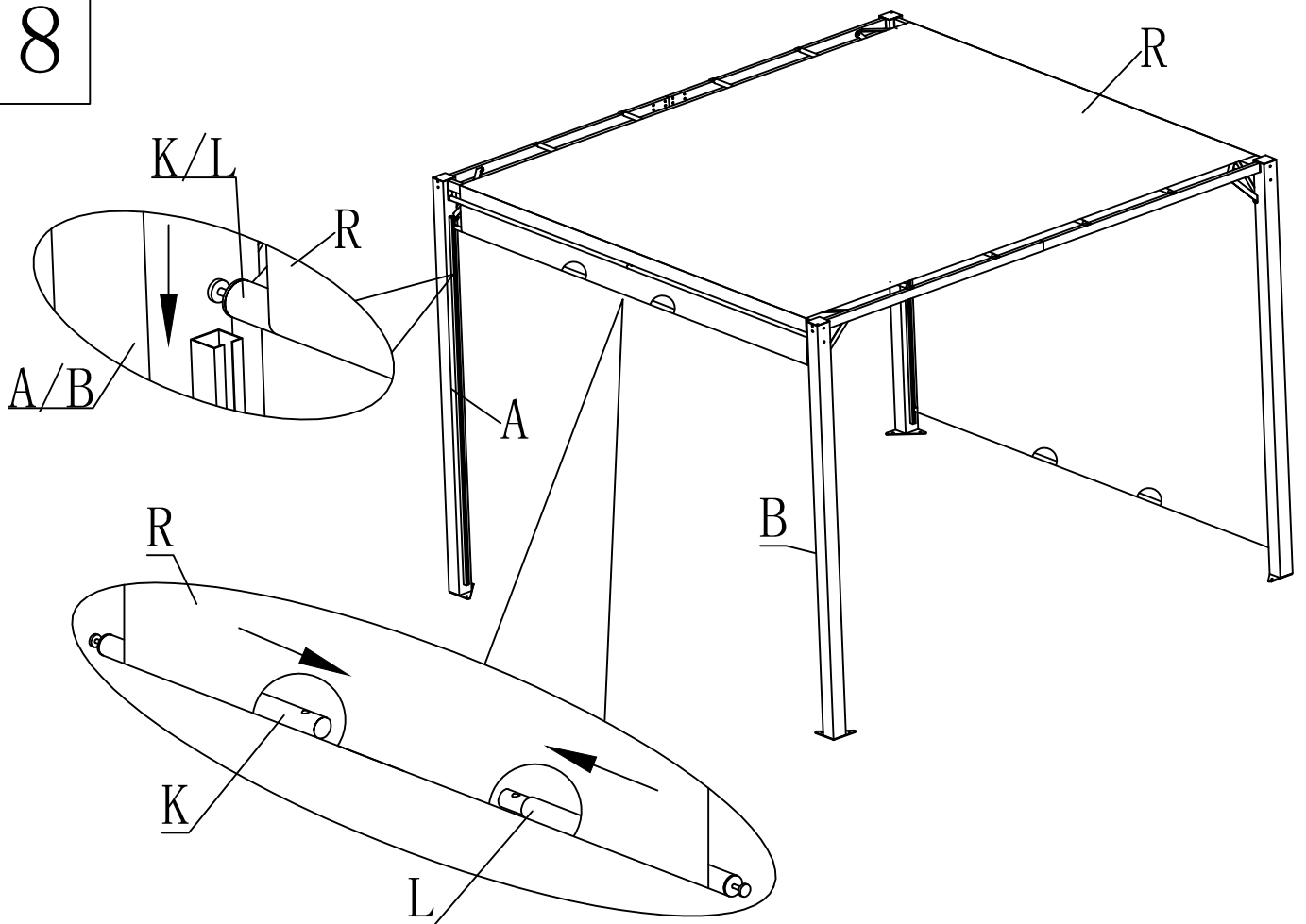
6

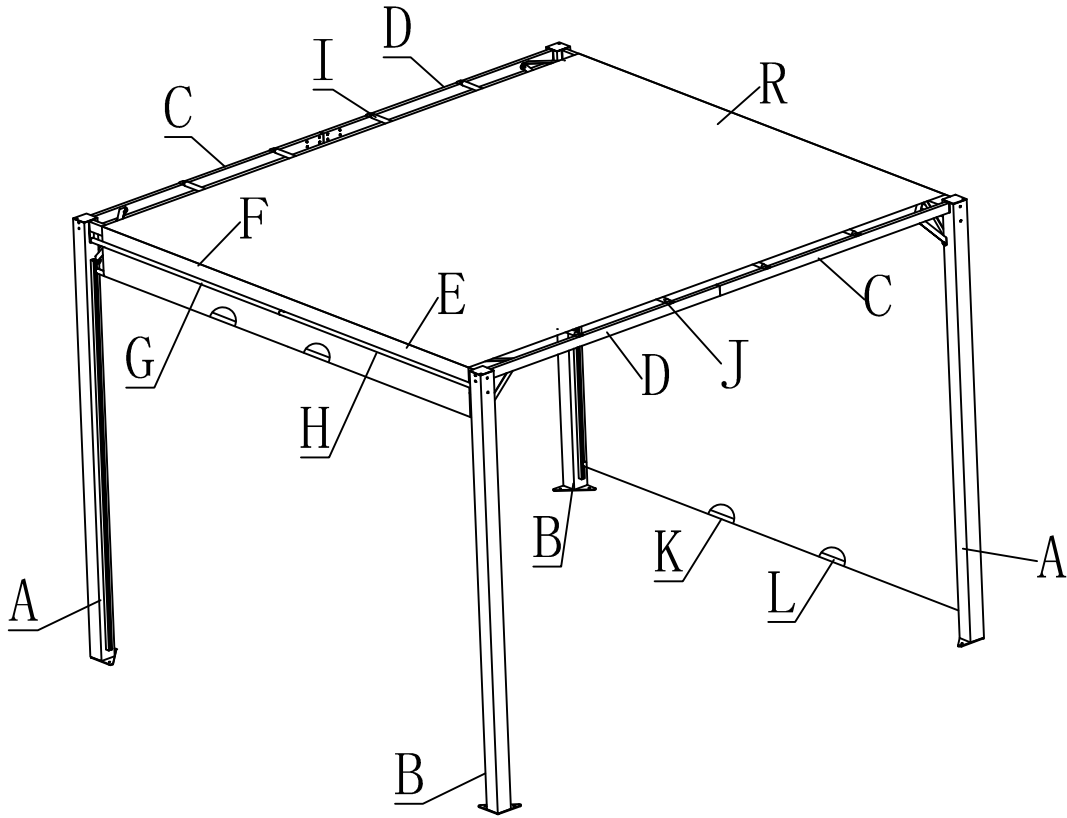


7



8





A		2	L		2
B		2	M		4
C		2	N		4
D		2	P		4
E		2	Q		4
F		2	R		1
G		2	S	 M8*95MM	16
H		2	T	 M6*15MM	56
I		4	V		8
J		4	W	 M6/M5	2
K		2	X	 M8/M6	2